

Technical Data Sheet

DUAL POWER POST - LINKED

Our Small Base Single & Dual Power Posts are compact in design and ideal for creating a centralised power distribution or grounding point. Several configurations are available in order to suit a variety of applications.

Features

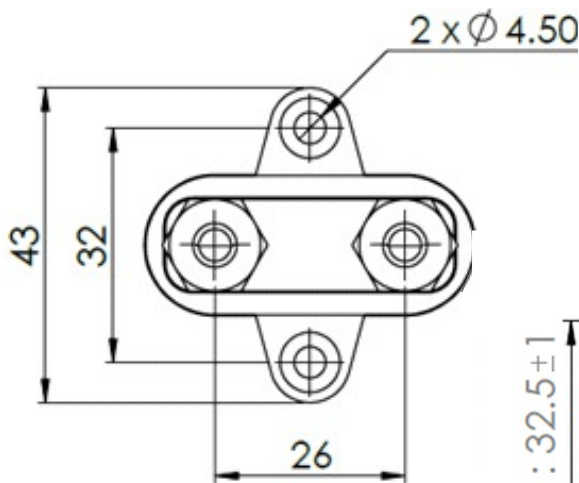
- Allows terminating of heavy-duty cables for one or more connections
- Available in Red or Black
- Glass Fibre reinforced Nylon base ensures great mechanical strength and durability
- Insulated Base ensures no current leakage to mounting positions
- Heavy Duty Terminal Studs (up to M8)
- Small Base allows for easy installation in tight spaces

Specifications

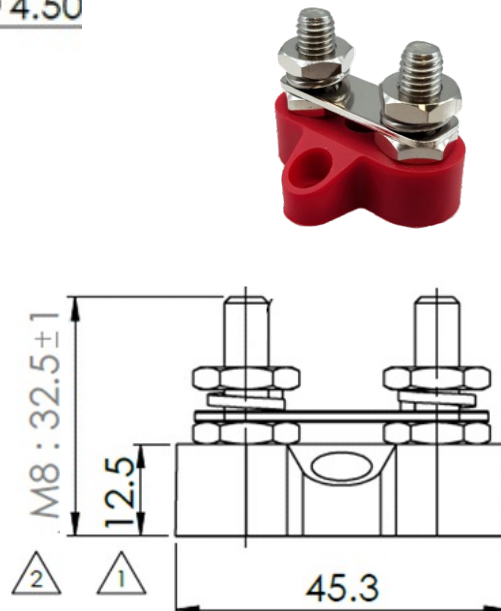
Specifications	
Base Material:	Nylon, Glass Fibre Reinforced
Stud Material:	Stainless Steel
Screw Nuts Material:	Nickel-plated Brass
Max Operating Voltage:	DC 48V
Max Amp per Circuit:	Determined by Wire Size Connected

Part Number	Description	Size	Colour
SBRD_DPL-M8	Small Base - Dual Power Post - Linked	M8	Red

Technical Drawing



Top View



Side View

		Unit 8 No. 27 Allgas Street, Slacks Creek QLD Australia 4127 PO Box 1301, Slacks Creek QLD Australia 4127 P: +61 (0)7 3290 3116	
		REF:	DATE:
	06-09-18	CHK'D BY:	
TITLE: SMALL BASE- DUAL POWER POST - LINKED			
MATERIAL:		PART NO	
COLOR: RED	DRG CLASS	SBRD_DPL-M8	

