

Technical Data Sheet

DUAL POWER POST - DIVIDED

Our Small Base Single & Dual Power Posts are compact in design and ideal for creating a centralised power distribution or grounding point. Several configurations are available in order to suit a variety of applications.

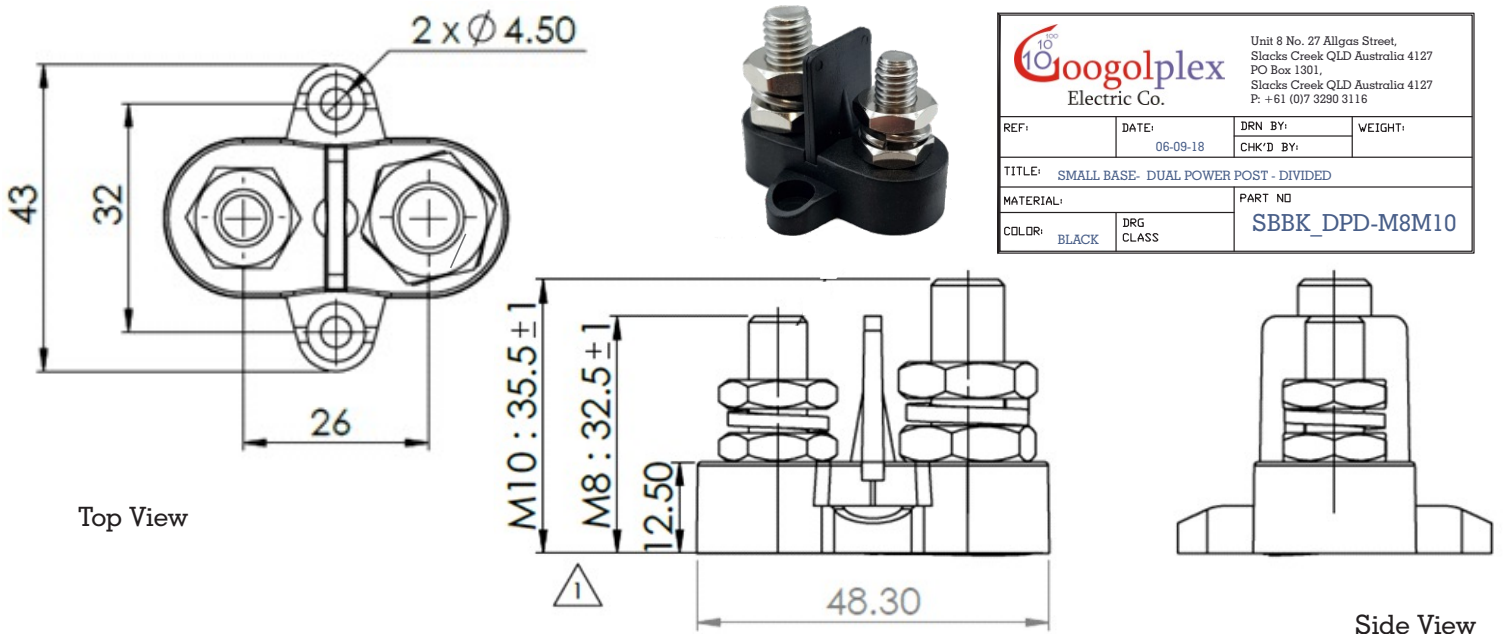
Features

- Allows terminating of heavy-duty cables for one or more connections
- Available in Red or Black
- Glass Fibre reinforced Nylon base ensures great mechanical strength and durability
- Insulated Base ensures no current leakage to mounting positions
- Heavy Duty Terminal Studs (up to M10)
- Small Base allows for easy installation in tight spaces

Specifications

Specifications	Part Number	Description	Size	Colour
Base Material: Nylon, Glass Fibre Reinforced	SBBK_DPD-M8M10	Small Base - Dual Power Post - Divided	M8- M10	Black
Stud Material: Stainless Steel				
Screw Nuts Material: Nickel-plated Brass				
Max Operating Voltage: DC 48V				
Max Amp per Circuit: Determined by Wire Size Connected				

Technical Drawing



		Unit 8 No. 27 Allgas Street, Slacks Creek QLD Australia 4127 PO Box 1301, Slacks Creek QLD Australia 4127 P: +61 (0)7 3290 3116	
REF:	DATE: 06-09-18	DRN BY:	WEIGHT:
TITLE: SMALL BASE- DUAL POWER POST - DIVIDED		CHK'D BY:	
MATERIAL:		PART NO	
COLOR: BLACK	DRG CLASS	SBBK_DPD-M8M10	