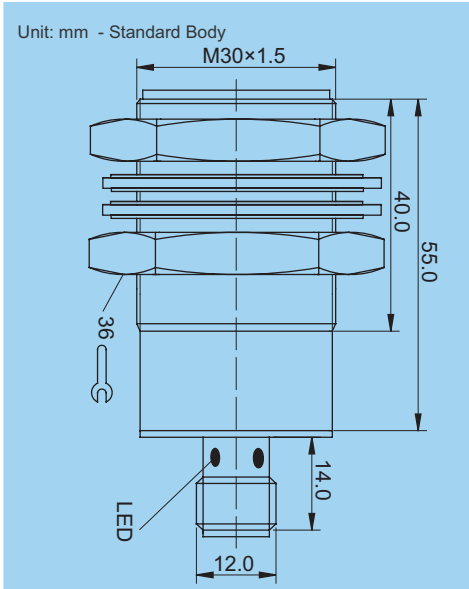
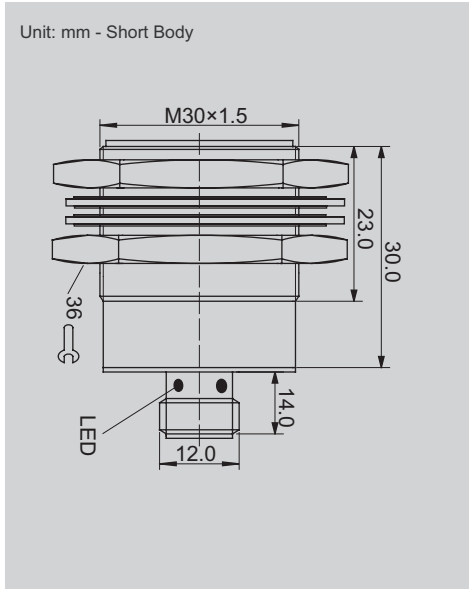


# Inductive Proximity Sensor

## M30 Series

<b>Dimension</b>	<b>M30 x1.5</b>	<b>M30 x1.5</b>
<b>Installation</b>	<b>Flush (shielded)</b>	<b>Flush (shielded)</b>
<b>Mounting distance Sn</b>	<b>10.0mm</b>	<b>10.0mm</b>
<b>Detect distance Sn</b>	<b>0...9.0mm</b>	<b>0...9.0mm</b>



<b>PNP</b>	DC 3 wires	<b>NO</b>	<b>DSS-CPS-POM30SB-10FM</b>	<b>DSS-CPS-POM30LB-10FM</b>
		<b>NC</b>	<b>DSS-CPS-PCM30SB-10FM</b>	<b>DSS-CPS-PCM30LB-10FM</b>
<b>NPN</b>	DC 3 wires	<b>NO</b>	<b>DSS-CPS-NOM30SB-10FM</b>	<b>DSS-CPS-NOM30LB-10FM</b>
		<b>NC</b>	<b>DSS-CPS-NCM30SB-10FM</b>	<b>DSS-CPS-NCM30LB-10FM</b>

Rated operational voltage (DC/AC)	24V DC	24V DC
Supply voltage (DC/AC)	10-30V DC	10-30V DC
Voltage drop	≤ 2.0V	≤ 2.0V
Rated insulation voltage	≥ 20M Ω	≥ 20M Ω
Load current capacity (DC/AC)	200mA	200mA
Off-state current (NPN/PNP)	≤ 15mA	≤ 15mA
Leak current	≤ 20 μA	≤ 20 μA
Against polarity reversal	YES	YES
Short circuit protected	YES	YES
Load capacity	≤ 1μF	≤ 1μF

Repeated accuracy	≤ 5%	≤ 5%
Ambient temperature range	-25...+70°C	-25...+70°C
Frequency (DC 3/2wires / AC 2 wires)	500Hz/400Hz	500Hz/400Hz
Function indication	Red LED Indicator	Red LED Indicator

IP ratings	IP67	IP67
Housing material	Nickle plate brass	Nickle plate brass
Material of sensing face	ABS	ABS
Plug-in connector	M12 3/4 Wire	M12 3/4 Wire
Approvals	CE	CE

**Normally Open (NO):**  
When metal is within proximity to the sensor, the circuit will close and the indicating LED light will be ON.

**Normally Closed (NC):**  
When metal is within proximity to the sensor, the circuit will open and the indicating LED light will be OFF.